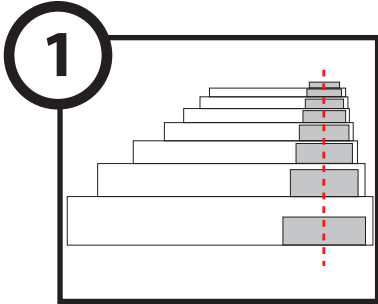


Installation

IMPORTANT! Please read the entire installation packet and review all drawings before starting the installation

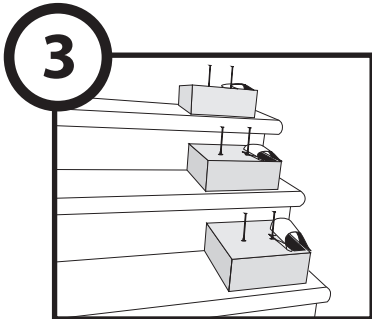
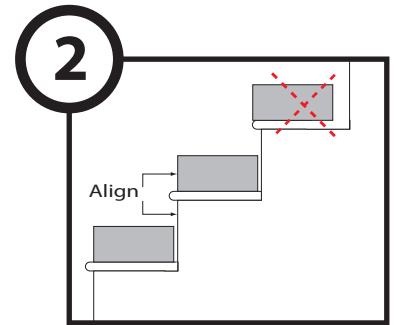
TOOLS REQUIRED: Cordless Drill with #2 Phillips Bit & Tape Measure

The StairAide kit consists of 14 StairAide half step blocks (with friction patch partially attached) and 28 installation screws. Please ensure that the package came complete. Notify StairAide immediately of any missing parts. We are not responsible for parts reported missing more than 10 days after receipt of shipment.



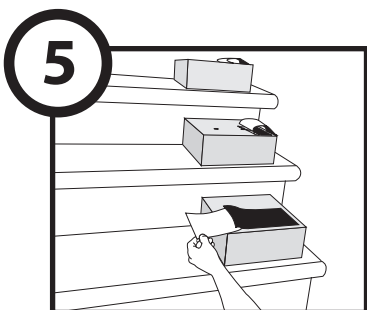
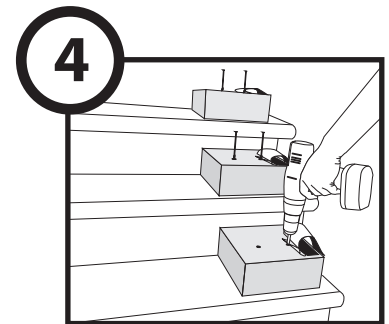
1 Position all 14 StairAide half step blocks on the side of your staircase that has a handrail along the entire flight of stairs. Start by positioning the first block on the floor directly in front of the first step and continue placing blocks (one per step) to the top. Once the blocks are in position, ensure that they are aligned so that the center of each block is in line with the center of the block above and below – See diagram #1. Remember, there is no need of a block at the top of the staircase (floor level of the top floor).

For installation on non-carpeted steps, slide each block back from the front edge of the stair until the front vertical face of the block is aligned with the rear face of the step below – See diagram #2. For installation on carpeted steps, position each block 1" back from the front lip of each stair.



3 Insert 2 installation screws into the pre-drilled holes on top of each StairAide half step block – See Diagram #3.

Using a cordless drill fitted with a #2 Phillips Bit, drive the two installation screws until the top of the head of each screw is flush with the top of each block. - See Diagram #4. Once both screws are fastened, ensure that each block is securely fastened to each step. (Carpeted stair installation may require extra turns of both screws, in alternating fashion, until the carpet is sufficiently compacted).



5 Once all StairAide half step blocks are securely attached, peel the backing from the friction tape and apply pressure to glue the tape to the top of the block.

Finally, if you should have any questions regarding the proper installation of your StairAide system, please call us directly at (518) 833-6727.

Stair Aide LLC Terms and Conditions

Welcome to our website. If you continue to browse and use this website, you are agreeing to comply with and be bound by the following terms and conditions of use, which together with our privacy policy govern Stair Aide LLC's relationship with you in relation to this website. If you disagree with any part of these terms and conditions, please do not use our website.

PLEASE READ THESE TERMS AND CONDITIONS VERY CAREFULLY. THE TERMS AND CONDITIONS OF PRODUCT SALES AND SERVICE PROJECTS ARE LIMITED TO THOSE CONTAINED HEREIN. ANY ADDITIONAL OR DIFFERENT TERMS OR CONDITIONS IN ANY FORM DELIVERED BY YOU ("CUSTOMER") ARE HEREBY DEEMED TO BE MATERIAL ALTERATIONS AND NOTICE OF OBJECTION TO THEM AND REJECTION OF THEM IS HEREBY GIVEN.

BY ACCEPTING DELIVERY OF THE PRODUCTS OR BY ENGAGING STAIR AIDE LLC ("SELLER") TO PROVIDE PRODUCT OR PERFORM OR PROCURE ANY SERVICES, CUSTOMER AGREES TO BE BOUND BY AND ACCEPTS THESE TERMS AND CONDITIONS UNLESS CUSTOMER AND SELLER HAVE SIGNED A SEPARATE AGREEMENT, IN WHICH CASE THE SEPARATE AGREEMENT WILL GOVERN.

ANY GENERAL DESCRIPTION OF THE TYPES OF PRODUCTS OR SERVICES AND RESULTS THEREOF POSTED ON THE WEBSITE DO NOT CONSTITUTE PART OF THE AGREEMENT BETWEEN SELLER AND CUSTOMER.

These Terms and Conditions are subject to change without prior notice, except that the Terms and Conditions posted on the Site at the time Customer places an order will govern the order in question, unless otherwise agreed in writing by Seller and Customer.

Customer consents to receiving electronic records, which may be provided via a Web browser or e-mail application connected to the Internet; individual consumers may withdraw consent to receiving electronic records or have the record provided in non-electronic form by contacting Seller. In addition, Internet connectivity requires access services from an Internet access provider. Contact your local access provider for details. Electronic signatures (or copies of signatures sent via electronic means) are the equivalent of written and signed documents.

Customer may issue a purchase order for administrative purposes only. Additional or different terms and conditions contained in any such purchase order will be null and void. This Agreement contains the entire understanding of the parties with respect to the matters contained herein and supersedes and replaces in its entirety any and all prior communications and contemporaneous agreements and understandings, whether oral, written, electronic or implied, if any, between the parties with respect to the subject matter hereof.

Governing Law

THESE TERMS AND CONDITIONS, ANY STATEMENTS OF WORK, THE SERVICES HEREUNDER AND ANY SALE OF PRODUCTS HEREUNDER WILL BE GOVERNED BY THE LAWS OF THE STATE OF NEW YORK, WITHOUT REGARD TO CONFLICTS OF LAWS RULES. ANY ARBITRATION, ENFORCEMENT OF AN ARBITRATION OR LITIGATION WILL BE BROUGHT EXCLUSIVELY IN ALBANY COUNTY, NEW YORK, AND CUSTOMER CONSENTS TO THE JURISDICTION OF THE FEDERAL AND STATE COURTS LOCATED THEREIN, SUBMITS TO THE JURISDICTION THEREOF AND WAIVES THE RIGHT TO CHANGE VENUE. CUSTOMER FURTHER CONSENTS TO THE EXERCISE OF PERSONAL JURISDICTION BY ANY SUCH COURT WITH RESPECT TO ANY SUCH PROCEEDING. Except in the case of nonpayment, neither party may institute any action in any form arising out of these Terms and Conditions more than one (1) year after the cause of action has arisen. The rights and remedies provided Seller under these Terms and Conditions are cumulative, are in addition to, and do not limit or prejudice any other right or remedy available at law or in equity.

Risk of Loss

Title to Products and risk of loss or damage during shipment pass from Seller to Customer upon delivery to the specified destination (F.O.B. Destination, freight prepaid and added).

Payment

Orders are not binding upon Seller until accepted by Seller. Customer agrees to pay the total purchase price for the Products plus shipping. Terms of payment are within Seller's sole discretion. Customer will pay for, and will indemnify and hold Seller and its Affiliates harmless from, any applicable sales, use, transaction, excise or similar taxes and any federal, state or local fees or charges (including, but not limited to, environmental or similar fees), imposed on, in respect of or otherwise associated with the Products.

Warranties

Seller warrants that Products manufactured by Seller when delivered shall be free from defects in material and workmanship. Seller's obligations under the aforesaid warranty shall be limited exclusively to repairing or replacing at Seller's option, any part of the Products which, if properly installed, used and maintained, proved to have been defective in material or workmanship within twelve (12) months from the date of shipment, provided that Buyer gives Seller prompt written notice of any defect and satisfactory written proof thereof. The warranties of the Seller shall run only to the Buyer and not to any third-party beneficiaries. EXCEPT AS SET FORTH HEREIN OR IN ANY STATEMENT OF WORK THAT EXPRESSLY AMENDS SELLER'S WARRANTY, AND SUBJECT TO APPLICABLE LAW, SELLER MAKES NO OTHER, AND EXPRESSLY DISCLAIMS ALL OTHER, REPRESENTATIONS, WARRANTIES, CONDITIONS OR COVENANTS, EITHER EXPRESS OR IMPLIED (INCLUDING WITHOUT LIMITATION, ANY EXPRESS OR IMPLIED WARRANTIES OR CONDITIONS OF FITNESS FOR A PARTICULAR PURPOSE, MERCHANTABILITY, DURABILITY, TITLE, ACCURACY OR NON-INFRINGEMENT) ARISING OUT OF OR RELATED TO THE PRODUCT, INCLUDING BUT NOT LIMITED TO ANY WARRANTY WITH RESPECT TO THE PERFORMANCE OF ANY HARDWARE AND ANY WARRANTY CONCERNING THE RESULTS TO BE OBTAINED FROM THE USE OF THE PRODUCT. THIS DISCLAIMER AND EXCLUSION SHALL APPLY EVEN IF THE EXPRESS WARRANTY AND LIMITED REMEDY SET FORTH HEREIN FAILS OF ITS ESSENTIAL PURPOSE. CUSTOMER ACKNOWLEDGES THAT NO REPRESENTATIVE OF SELLER OR OF ITS AFFILIATES IS AUTHORIZED TO MAKE ANY REPRESENTATION OR WARRANTY ON BEHALF OF SELLER OR ANY OF ITS AFFILIATES THAT IS NOT IN THIS AGREEMENT OR IN A STATEMENT OF WORK EXPRESSLY AMENDING SELLER'S WARRANTY.

Customer expressly waives any claim that it may have against Seller or its Affiliates based on any product liability or infringement or alleged infringement of any patent, copyright, trade secret or other intellectual property rights (each a "Claim") with respect to any Product and also waives any right to indemnification from Seller or its Affiliates against any such Claim made against Customer by a third party. Customer acknowledges that no employee of Seller or its Affiliates is authorized to make any representation or warranty on behalf of Seller or any of its Affiliates that is not in this Agreement.

Seller will not be responsible for and no liability shall result to Seller or any of its Affiliates for any delays in delivery or in performance which result from any circumstances beyond Seller's reasonable control, including, but not limited to, Product unavailability, carrier delays, delays due to fire, severe weather conditions, failure of power, labor problems, acts of war, terrorism, embargo, acts of God or acts or laws of any government or agency. Any shipping dates or completion dates provided by Seller or any other document are estimates only.

Pricing Information; Availability Disclaimer

Seller reserves the right to make adjustments to pricing Product offerings for reasons including, but not limited to, changing market conditions, Product discontinuation, Product unavailability, manufacturer price changes, supplier price changes and errors in advertisements. All orders are subject to Product availability. Therefore, Seller cannot guarantee that it will be able to fulfill Customer's orders.

Limitation of Liability

The total liability of Seller (including its affiliated companies and subcontractors) on any claim whether in contract, tort (including negligence of any degree and strict liability) or otherwise arising out of, connected with, or resulting from the manufacture, sale, delivery, resale, repair, replacement or use, as applicable, of any Products or Services shall not exceed the price allocable to the Products or part thereof which gives rise to the claim.

If Seller furnishes Buyer with advice or other assistance which concerns any Products or Services supplied hereunder or any system or equipment in which any such Products may be installed, the furnishing of such advice or assistance shall not subject Seller to any liability whether in contract, warranty, tort (including negligence, strict liability, or patent infringement) or otherwise.

UNDER NO CIRCUMSTANCES AND NOTWITHSTANDING THE FAILURE OF ESSENTIAL PURPOSE OF ANY REMEDY SET FORTH HEREIN, WILL SELLER, ITS AFFILIATES OR ITS OR THEIR SUPPLIERS, SUBCONTRACTORS OR AGENTS BE LIABLE FOR: (A) ANY INCIDENTAL, INDIRECT, SPECIAL, PUNITIVE OR CONSEQUENTIAL DAMAGES INCLUDING BUT NOT LIMITED TO, LOSS OF PROFITS, BUSINESS, REVENUES OR SAVINGS, EVEN IF SELLER HAS BEEN ADVISED OF THE POSSIBILITIES OF SUCH DAMAGES OR IF SUCH DAMAGES ARE OTHERWISE FORESEEABLE, IN EACH CASE, WHETHER A CLAIM FOR ANY SUCH LIABILITY IS PREMISED UPON BREACH OF CONTRACT, WARRANTY, NEGLIGENCE, STRICT LIABILITY OR OTHER THEORY OF LIABILITY; (B) ANY CLAIMS, DEMANDS OR ACTIONS AGAINST CUSTOMER BY ANY THIRD PARTY; (C) ANY LOSS OR CLAIM ARISING OUT OF OR IN CONNECTION WITH CUSTOMER'S IMPLEMENTATION OF ANY CONCLUSIONS OR RECOMMENDATIONS BY SELLER OR ITS AFFILIATES BASED ON, RESULTING FROM, ARISING OUT OF OR OTHERWISE RELATED TO THE PRODUCTS OR SERVICES; OR (D) ANY UNAVAILABILITY OF THE PRODUCT FOR USE. IN THE EVENT OF ANY LIABILITY INCURRED BY SELLER OR ANY OF ITS AFFILIATES, THE ENTIRE LIABILITY OF SELLER AND ITS AFFILIATES FOR DAMAGES FROM ANY CAUSE WHATSOEVER WILL NOT EXCEED THE DOLLAR AMOUNT PAID BY CUSTOMER FOR THE PRODUCT(S) GIVING RISE TO THE CLAIM.

Limited License

Customer's sole rights to the product, materials and other deliverables including but not limited to, all inventions, discoveries, methods, processes, formulae, ideas, concepts, techniques, know-how, data, designs, models, prototypes, works of authorship, computer programs, proprietary tools, methods of analysis and other information (whether or not capable of protection by patent, copyright, trade secret, confidentiality, or other proprietary rights) or discovered in the course of performance of this Agreement that are embodied in such work or materials ("Product") will be a non-transferable, non-exclusive, royalty-free license to use such Products solely for Customer's internal use. Customer will have no ownership or other property rights thereto and Customer shall have no right to use any such Product for any other purpose whatsoever. Customer acknowledges that Sellers may incorporate intellectual property created by third parties into the Product ("Third Party Intellectual Property"). Customer agrees that its right to use the Product containing Third Party Intellectual Property may be subject to the rights of third parties and limited by agreements with such third parties.

Termination

Either party may terminate performance of a Service or a Statement of Work for cause if the other party fails to cure a material default in the time period specified herein. Any material default must be specifically identified in a written notice of termination. After written notice, the notified party will, subject to the provision of warranties herein, have thirty (30) days to remedy its performance except that it will only have ten (10) days to remedy any monetary default. Failure to remedy any material default within the applicable time period provided for herein will give cause for immediate termination, unless such default is incapable of being cured within the time period in which case the defaulting party will not be in breach (except for Customer's payment obligations) if it used its reasonable efforts to cure the default. In the event of any termination of the Services or a Statement of Work, Customer will pay Seller for all Services performed and expenses incurred up to and including the date of termination plus any termination fee if one is set forth in the applicable Statement of Work. In such event Customer will also pay Seller for any out-of-pocket demobilization or other direct costs resulting from termination. Upon termination, all rights and obligations of the parties under this Agreement will automatically terminate except for any right of action occurring prior to termination, payment obligations and obligations that expressly or by implication are intended to survive termination (including, but not limited to, limitation of liability, indemnity, confidentiality, or licensing of Work Product and this survival provision).

Arbitration

Any claim, dispute, or controversy (whether in contract, tort or otherwise, whether preexisting, present or future, and including, but not limited to, statutory, common law, intentional tort and equitable claims) arising from or relating to the Products, the Services, the interpretation or application of these Terms and Conditions or any Statement of Work or the breach, termination or validity thereof, the relationships which result from these Terms and Conditions or any Statement of Work (including, to the full extent permitted by applicable law, relationships with third parties who are not signatories hereto), or Seller's or any of its Affiliates' advertising or marketing (collectively, a "Claim") WILL BE RESOLVED, UPON THE ELECTION OF ANY OF SELLER, CUSTOMER OR THE THIRD PARTIES INVOLVED, EXCLUSIVELY AND FINALLY BY BINDING ARBITRATION. If arbitration is chosen, it will be conducted pursuant to the Rules of the American Arbitration Association. If arbitration is chosen by any party with respect to a Claim, neither Seller nor Customer will have the right to litigate that Claim in court or to have a jury trial on that Claim or to engage in pre-arbitration discovery, except as provided for in the applicable arbitration rules or by agreement of the parties involved. Further, Customer will not have the right to participate as a representative or member of any class of claimants pertaining to any Claim. Notwithstanding any choice of law provision included in these Terms and Conditions, this arbitration agreement is subject to the Federal Arbitration Act (9 U.S.C. §§ 1-16). The arbitration will take place exclusively in Albany, New York. Any court having jurisdiction may enter judgment on the award rendered by the arbitrator(s). Each party involved will bear its own cost of any legal representation, discovery or research required to complete arbitration. The existence or results of any arbitration will be treated as confidential. Notwithstanding anything to the contrary contained herein, all matters pertaining to the collection of amounts due to Seller arising out of the Products or Services will be exclusively litigated in court rather than through arbitration.

Miscellaneous

Seller may assign or subcontract all or any portion of its rights or obligations with respect to the sale of Products or assign the right to receive payments, without Customer's consent. Customer may not assign these Terms and Conditions, or any of its rights or obligations herein without the prior written consent of Seller. Subject to the restrictions in assignment contained herein, these Terms and Conditions will be binding on and inure to the benefit of the parties hereto and their successors and assigns. No provision of this Agreement or any Statement of Work will be deemed waived, amended or modified by either party unless such waiver, amendment or modification is in writing and signed by both parties. The relationship between Seller and Customer is that of independent contractors and not that of employer/employee, partnership or joint venture. If any term or condition of this Agreement or a Statement of Work is found by a court of competent jurisdiction to be invalid, illegal or otherwise unenforceable, the same shall not affect the other terms or conditions hereof or thereof or the whole of this Agreement or the applicable Statement of Work. Notices provided under this Agreement will be given in writing and deemed received upon the earlier of actual receipt or three (3) days after mailing if mailed postage prepaid by certified mail one (1) day after such notice is sent by courier or facsimile transmission. Any delay or failure by either party to exercise any right or remedy will not constitute a waiver of that party to thereafter enforce such rights.